



*upright freezer*  
*dikey derin dondurucu*

*2060 DD*



**WARNING!**

In order to ensure a normal operation of your refrigerating appliance, which uses a completely environmentally friendly refrigerant the R600a (flammable only under certain conditions) you must observe the following rules:

- Do not hinder the free circulation of the air around the appliance.
- Do not use mechanical devices in order to accelerate the defrosting, others than the ones recommended by the manufacturer.
- Do not destroy the refrigerating circuit.
- Do not use electric appliances inside the food keeping compartment, other than those that might have been recommended by the manufacturer.

**UYARI!**

Tümüyle çevre dostu bir soğutucu gaz olan R600a (yalnızca belirli koşullar altında yanıcıdır) ile çalışan soğutucu ürününüzün normal bir şekilde çalışmasını sağlamak için aşağıdaki kuralları uygulamalısınız:

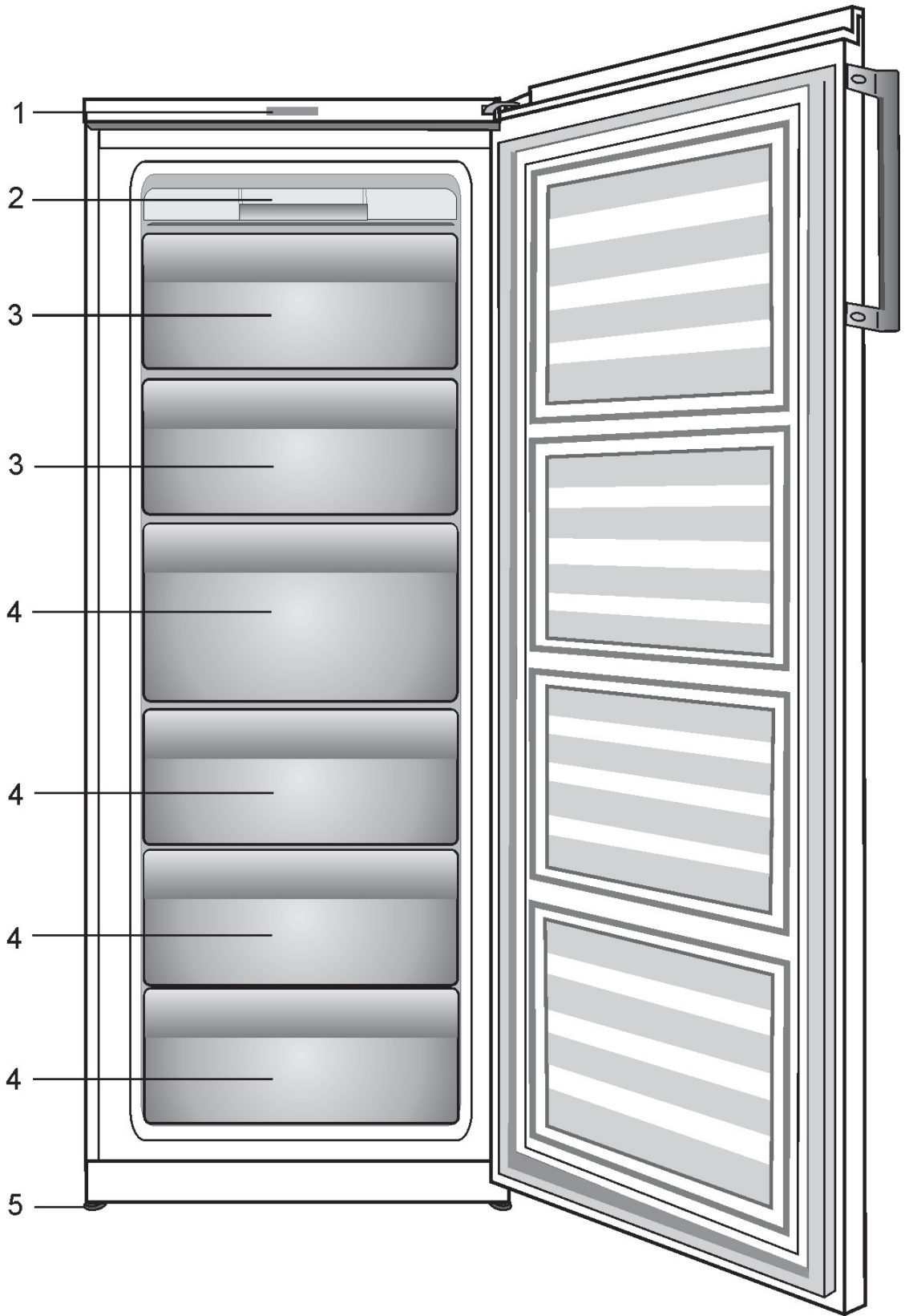
- Ürünün etrafındaki serbest hava sirkülasyonunu engellemeyin.
- Buz çözme işlemini hızlandırmak için üreticinin önerdiklerinin dışında mekanik cihazlar kullanmayın.
- Soğutucu gaz devresine zarar vermeyin.
- Gıda saklama bölmesi içinde üreticinin önermiş olabileceği elektrikli cihazlar dışında herhangi bir elektrikli cihaz kullanmayın.

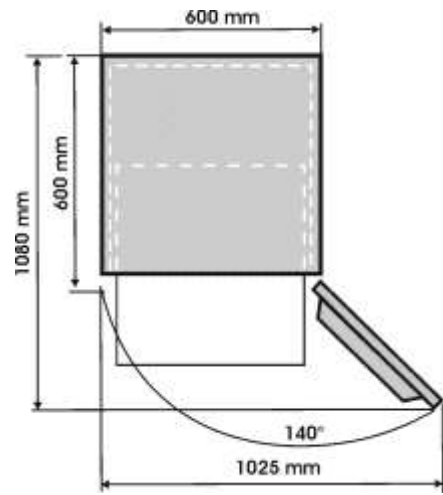
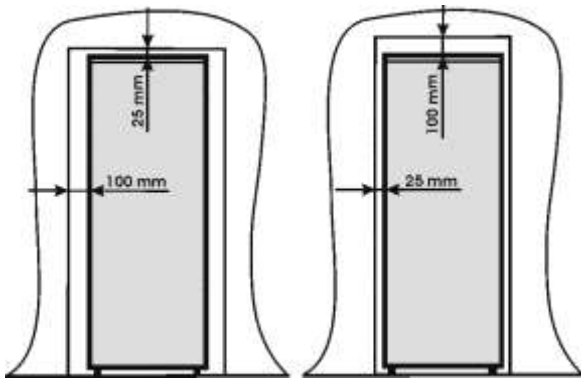
## GB Index

Safety first /1
Electrical requirements /2
Transportation instructions /2
Installation instructions /2
Temperature control and adjustment /3
Before operating /3
Freezer control panel /4
Fast freeze function /4
Storing frozen food /4
Freezing fresh food /4
Making ice cubes /5
Getting to know your appliance /5
Defrosting /5
Cleaning and care /5
Repositioning the door /5
Do's and don'ts /6
Troubleshooting /7
Information about operating noises /7

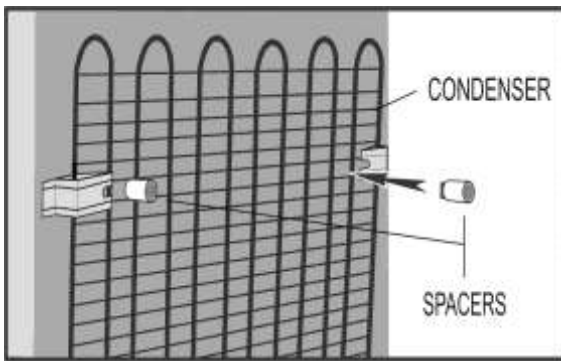
## TR İindekiler

Önce güvenlik /8
Elektrik gereksinimleri /9
Taşıma talimatları /9
Kurulum talimatları /9
Sıcaklık kontrolü ve ayarı /10
alıřtırma öncesi /10
Dondurucu kontrol paneli /11
Hızlı dondurma fonksiyonu /11
Donmuş gıdaların saklanması /11
Taze yiyeceklerin dondurulması /11
Buz üretimi /12
Cihazınızı tanıyın /12
Buz çözme /12
Temizlik ve bakım /1
Kapı konumunun deęiřtirilmesi /12
Yapılması ve yapılmaması gerekenler /13
Sorun Giderme /14
alıřırken ıkan gürültüye dair bilgiler /14

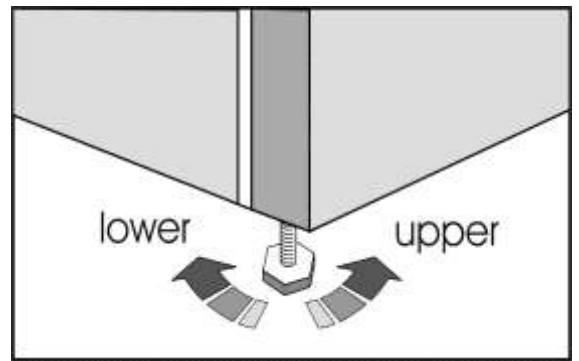




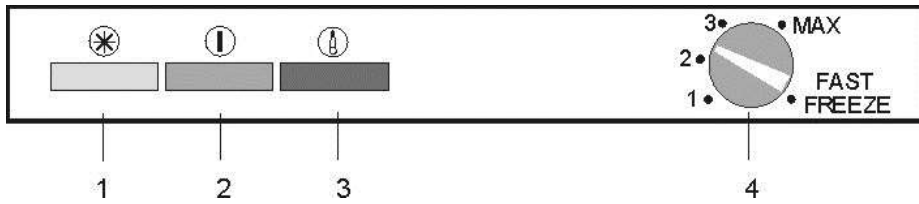
2



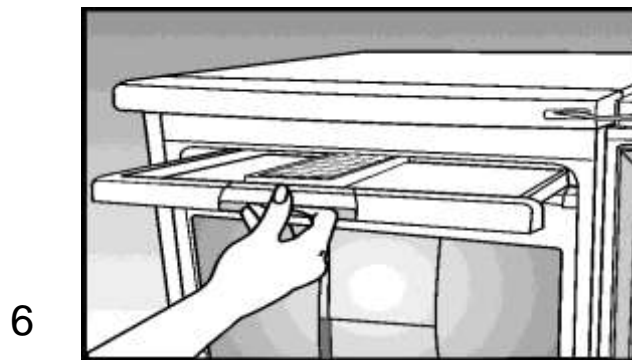
3



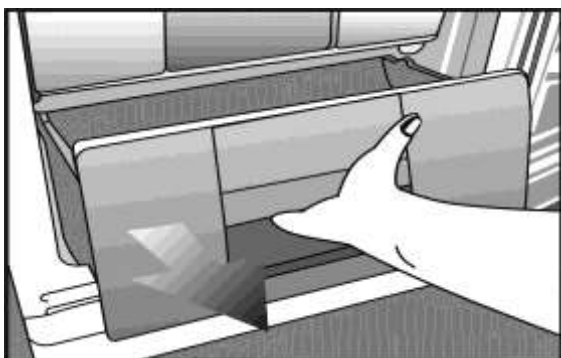
4



5



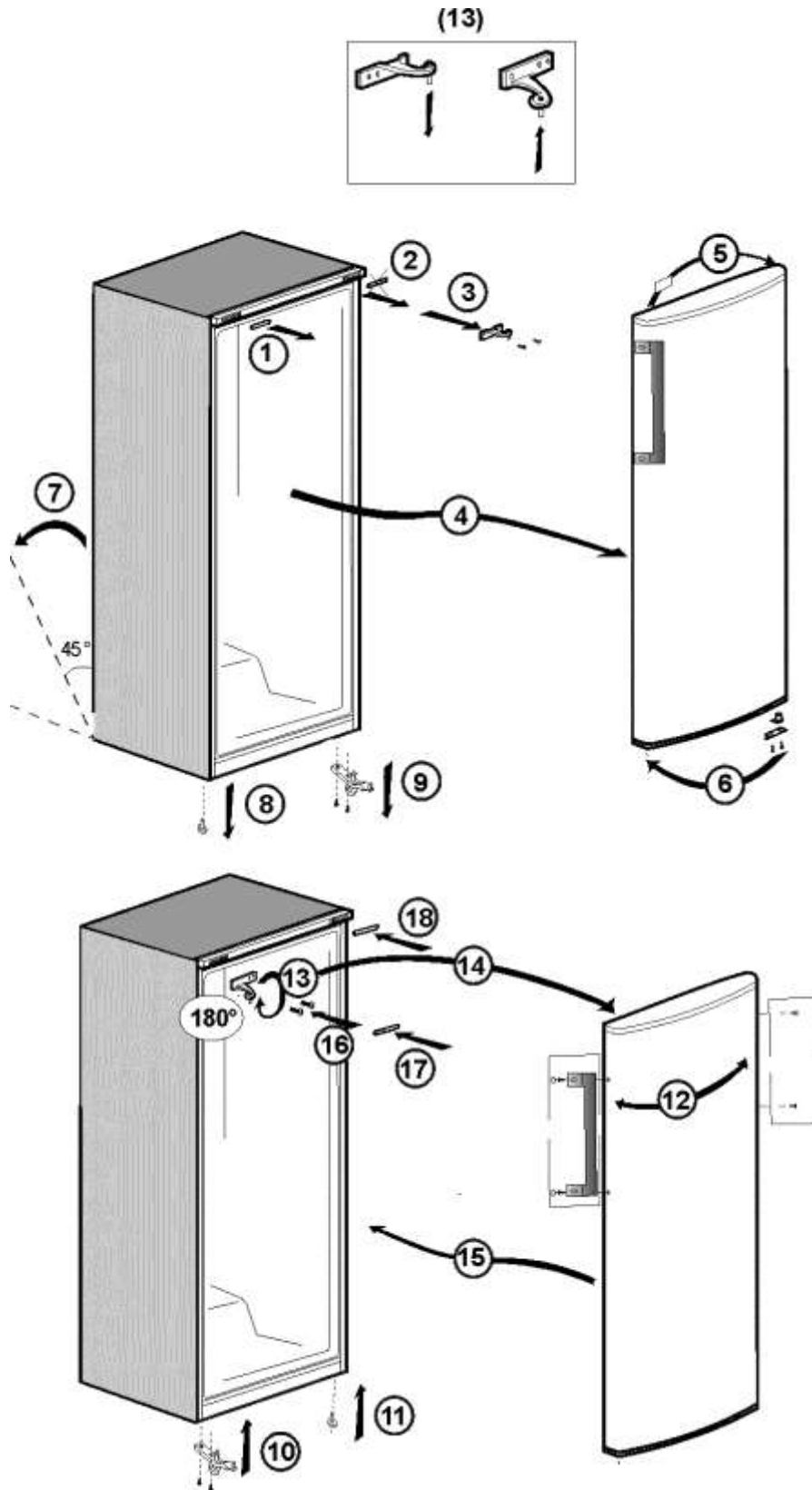
6



7



8



Congratulations on your choice of a ARÇELIK Quality Appliance, designed to give you many years of service.

### ***Safety first!***

Do not connect your appliance to the electricity supply until all packing and transit protectors have been removed.

- Leave to stand for at least 4 hours before switching on, to allow compressor oil to settle, if transported horizontally.
- If you are discarding an old appliance with a lock or latch fitted to the door, ensure that it is left in a safe condition to prevent the entrapment of children.
- This appliance must only be used for its intended purpose.
- Do not dispose of the appliance on a fire. Your appliance contains non CFC substances in the insulation which are flammable. We suggest you contact your local authority for information on disposal and available facilities.
- We do not recommend use of this appliance in an unheated, cold room. (e.g. garage, conservatory, annex, shed, out-house etc.)

To obtain the best possible performance and trouble free operation from your appliance it is very important to read these instructions carefully. Failure to observe these instructions may invalidate your right to free service during the guarantee period.

Please keep these instructions in a safe place for easy reference.

**This appliance is not intended for use by person with reduced physical, sensory or mental capabilities or lack of experience and knowledge unless they have been given supervision or instruction concerning use of the appliance by a person responsible for their safety.  
Children should be supervised to ensure that they do not play with the appliance.**

## Electrical requirements

Before inserting the plug into the wall socket make sure that the voltage and the frequency shown in the rating plate inside the appliance corresponds to your electricity supply.

We recommend that this appliance is connected to the mains supply via a suitably switched and fused socket in a readily accessible position.

The plug has to be accessible after installation in order to allow disconnection of the appliance from the supply after installation.

### **Warning! This appliance must be earthed.**

Repairs to the electrical equipment may only be made by qualified experts. If the power cable is damaged, the manufacturer or customer service must replace it in order to avoid danger.

### **ATTENTION!**

This appliance operates with R 600a which is an environmental friendly but flammable gas. During the transportation and fixing of the product, care must be taken not to damage the cooling system. If the cooling system is damaged and there is a gas leakage from the system, keep the product away from open flame sources and ventilate the room for a while.

**WARNING** - Do not use mechanical devices or other means to accelerate the defrosting process, others than those recommended by the manufacturer.

**WARNING** - Do not damage the refrigerant circuit.

**WARNING** - Do not use electrical appliances inside the food storage compartments of the appliance, unless they are of the type recommended by the manufacturer.

**WARNING** - If the supply cord is damaged, it must be replaced by the manufacturer, its service agent or similarly qualified persons in order to avoid a hazard.

## Transportation instructions

1. The appliance should be transported only in an upright position. The packing as supplied must be intact during transportation.
2. If during the transport the appliance, has been positioned horizontally, it must not be

operated for at least 4 hours, to allow the system to settle.

3. Failure to comply with the above instructions could result in damage to the appliance, for which the manufacturer will not be held liable.

4. The appliance must be protected against rain, moisture and other atmospheric influences.

### **Important!**

- Care must be taken while cleaning/carrying the appliance not to touch the bottom of the condenser metal wires at the back of the appliance, as this could cause injury to fingers and hands.
- Do not attempt to sit or stand on top of your appliance as it is not designed for such use. You could injure yourself or damage the appliance.
- Make sure that the mains cable is not caught under the appliance during and after moving, as this could damage the cable.
- Do not allow children to play with the appliance or tamper with the controls.

## Installation instructions

1. Do not keep your appliance in a room where the temperature is likely to fall below 10 degrees C (50 degrees F) at night and/or especially in winter, as it is designed to operate in ambient temperatures between +10 and +43 degrees C (50 and 109 degrees F). At lower temperatures the appliance may not operate, resulting in a reduction in the storage life of the food.

2. Do not place the appliance near cookers or radiators or in direct sunlight, as this will cause extra strain on the appliance's functions. If installed next to a source of heat or freezer, maintain the following minimum side clearances:

From Cookers 30 mm

From Radiators 300 mm

From Freezers 25 mm

3. Make sure that sufficient room is provided around the appliance to ensure free air circulation (**Item 2**).

- Put the back airing lid to the back of your refrigerator to set the distance between the refrigerator and the wall (**Item 3**).

4. The appliance should be positioned on a smooth surface. The two front feet can be adjusted as required. To ensure that your appliance is standing upright adjust the two front feet by turning clockwise or anti-clockwise, until firm contact is secured with the floor. Correct adjustment of feet prevents excessive vibration and noise (**Item 4**).
5. Refer to "Cleaning and Care" section to prepare your appliance for use.

### **Temperature control and adjustment**

The freezer temperature is influenced by the freezer temperature set button (**recommended are 2 or 3 position**).

Generally, this temperature is below  $-18^{\circ}\text{C}$ . Lower temperatures can be obtained by adjusting the thermostat knob towards position MAX.

We recommend checking the temperature with a thermometer to ensure that the storage compartments are kept to the desired temperature. Remember to take the reading immediately since the thermometer temperature will rise very rapidly after you remove it from the freezer.

Please remember that each time the door is opened cold air escapes and the internal temperature rises. Therefore never leave the door open and ensure it is closed immediately after food is put in or removed.

### **Before operating**

#### **Final Check**

Before you start using the freezer check that:

1. The feet have been adjusted for perfect levelling.
2. The interior is dry and air can circulate freely at the rear.
3. The interior is clean as recommended under "CLEANING AND CARE."
4. The plug is inserted into the wall socket and the electricity supply is switched on. Avoid accidental disconnection by taping over the switch.

#### **And note that:**

5. You will hear a noise as the compressor starts up. The liquid and gases sealed within the refrigeration system may also make some noise, whether the compressor is running or not. This is quite normal.

6. To freeze the fresh foods use the compartment marked with 4 stars (recommended second shelf).

7. Don't put in freezer a too big quantity of foods in the same time. The foods quality is well kept if they are deeply frozen in the shortest time possible. Therefore it is preferable do not exceed the freezing capacity of the appliance shown in "Appliance record". The thermostat knob shall be adjusted in order to obtain the lowest temperature inside the freezer, with the fast freeze function activated and the orange lamp lighting.

8. Do not load the appliance immediately it is switched on. Wait until the correct storage temperature has been reached. We recommend that you check the temperature with an accurate thermometer (see; Temperature Control and Adjustment).

#### **Important Note:**

If there is a power failure do not open the door. Frozen food should not be affected if the failure lasts for less than 16 hours. If the failure is longer, then the food should be checked and either eaten immediately or cooked and then re-frozen.

## Freezer control panel

### Item 5

The control panel adjusts the temperature in the freezer and has the following functions:

#### 1 - Orange led - Fast freeze on

When you turn the freezer temperature set button (4) to the „FAST FREEZE” position, the orange led (1) will lit and the appliance will run in lowest temperature conditions. The orange LED stops to lit after 50 hours of running in lowest temperature conditions.

#### 2 - Green led - electricity on (Voltage)

Lights when the appliance is connected to the network and remains lit as long as it is available power supply. LED green does not provide information on temperature inside the freezer.

#### 3 - Red Led - High Temperature Alarm

#### 4 - Setting temperature button

#### High temperature alarm

After the appliance is turned on for the first time the alarm is not active for 12 hours (red led is off).

After this period, red led can lights (red led is on) in the following cases:

- If the appliance is overloaded with fresh food
- If the door is left open by mistake.

In these cases the red led will remain lit until the appliance reached the preset temperature. If the red led is on wait for 24 hours before to announce the authorized service.

#### **Important:**

The temperatures obtained inside can vary according to the conditions of use of the appliance: location, ambient temperature, frequency of door opening, degree of loading with food. The temperature setting will be modified according to these conditions.

If the red led is on wait for 24 hours before to announce the authorized service.

It could be the warm food placed inside the freezer and/or the door who was left open. In 24 hrs of functioning the allarm for hight temperature (red led) it should be off.

## Fast freeze function

To activate FAST FREEZING function, please adjust the temperature setting knob to „FAST FREEZE” position. It is advised that you place the foodstuffs that you wish to freeze faster in the freezer compartment 24 hours after you activate fast freezing function. While fast freezing is activated, your refrigerator runs at lowest temperature setting for freezer. Fast freeze function lasts for 50 hours. After terminated, your refrigerator reverts to normal use conditions with a temperature setting of 3 even though the knob is still employed at „FAST FREEZE” position. This ecodesign feature provides energy saving when fast freezing function is not cancelled for any reason. Freezing capacity of your refrigerator is measured and declared while fast freezing function is active.

## Storing frozen food

Your freezer is suitable for the long-term storage of commercially frozen foods and also can be used to freeze and store fresh food. If there is a power failure, do not open the door. Frozen food should not be affected if the failure lasts for less than 16 hrs. If the failure is longer, then the food should be checked and either eaten immediately or cooked and then re-frozen.

## Freezing fresh food

Please observe the following instructions to obtain the best results.

Do not freeze too large a quantity at any one time. The quality of the food is best preserved when it is frozen right through to the core as quickly as possible.

If large amounts of fresh food are going to be frozen, adjust the control knob to „FAST FREEZE” position with 24 hours before putting the fresh food in the fast freeze compartment. It is strongly recommended to keep the knob at „FAST FREEZE” position at least 24 hours to freeze maximum amount of fresh food declared as freezing capacity. Take special care not to mix frozen food and fresh food.

Small quantities of food up to 1/2 kg. (1 lb) can be frozen without fast freezer function. Take special care not to mix already frozen food and fresh food.

## **Making ice cubes** (Item 6)

Fill the ice - cube tray 3/4 full with water and place it in the freezer. Loosen frozen trays with a spoon handle or a similar implement; never use sharp-edged objects such as knives or forks.

## **Getting to know your appliance** (Item 1)

- 1 - Control panel, display and adjustment
- 2 - Ice tray support and ice tray
- 3 - Compartment for quickly freezing
- 4 - Compartments for frozen foods keeping
- 5 - Adjustable front feet

## **Defrosting**

Please defrost the freezer compartment at least twice a year or when the ice layer is too thick.

- Ice build-up is a normal phenomenon.
- The ice build-up, especially in the upper side of the compartment is a natural phenomenon and does not affect the good functioning of the appliance.
- It is recommended to defrost the appliance when the quantity of frozen food is not too big.
- Before the defrosting set the adjusting thermostat button on the maximum position in order to strongly freeze the foods. During this time, the temperature in the refrigerator must not be too low.
  - Unplug the appliance
  - Take out the frozen foods, pack them in several paper sheets and put them in a cool place.
  - Let the door open for a quick defrosting and put inside vessels with warm water (max.80°C).

Do not use pointed or sharp-edged objects such as knives or forks to remove the frost. Never use hairdryers, electrical heaters or other such electrical appliances for defrosting. When defrosting has finished, close the defrosting part and dry the interior thoroughly **(Item 7 & 8)**.

## **Cleaning and care**

1. We recommend that you switch off the appliance at the socket outlet and pull out the mains plug before cleaning.
2. Never use any sharp instruments or abrasive substances, soap, household cleaner, detergent or wax polish for cleaning.
3. Use luke warm water to clean the cabinet of the appliance and wipe it dry.
4. Use a damp cloth wrung out in a solution of one teaspoon of bicarbonate of soda to one pint of water to clean the interior and wipe it dry.
5. If the appliance is not going to be used for a long period of time, switch it off, remove all food, clean it and leave the door ajar.
6. We recommend that you polish the metal parts of the product (i.e. door exterior, cabinet sides) with a silicone wax (car polish) to protect the high quality paint finish.
7. Any dust that gathers on the condenser, which is located at the back of the appliance, should be removed once a year with a vacuum cleaner.
8. Check door seals regularly to ensure they are clean and free from food particles.
9. Never:
  - Clean the appliance with unsuitable material; eg petroleum based products.
  - Subject it to high temperatures in any way,
  - Scour, rub etc., with abrasive material.
10. Excess deposit of ice should be removed regularly. Large accumulation of ice will impair the performance of the freezer.
11. To remove a drawer, pull it as far as possible, tilt it upwards and then pull it out completely.

## **Repositioning the door**

Proceed in numerical order **(Item 9)**.

**Do's and don'ts**

- Do-** Check contents of the freezer at regular intervals.
- Do-** Clean and defrost your appliance regularly (See "Defrosting")
- Do-** Keep food for as short a time as possible and adhere to "Best Before" and "Use By" dates.
- Do-** Store commercially frozen food in accordance with the instructions given on the packets.
- Do-** Always choose high quality fresh food and be sure it is thoroughly clean before you freeze it.
- Do-** Prepare fresh food for freezing in small portions to ensure rapid freezing.
- Do-** Wrap frozen food immediately after purchasing and put it in to the freezer as soon as possible.
- Do-** Separate food in the compartments and complete the contents card. This will enable you to find food quickly and avoid excessive door opening, which will save electricity.
- Don't-** Leave the door open for long periods, as this will make the appliance more costly to run and cause excessive ice formation.
- Don't-** Use sharp edged objects such as knives or forks to remove the ice.
- Don't-** Put hot food into the appliance. Let it cool down first.
- Don't-** Put liquid-filled bottles or sealed cans containing carbonated liquids into the freezer, as they may burst.
- Don't-** Store poisonous or any dangerous substances in your appliance. It has been designed for the storage of edible foodstuffs only.
- Don't-** Exceed the maximum freezing loads when freezing fresh food.
- Don't-** Consume ice-cream and water ices direct from the freezer. The low temperature may cause 'freezer burns' on lips.
- Don't-** Freeze fizzy drinks.
- Don't-** Try to keep frozen food which has thawed; it should be eaten within 24 hours or cooked and refrozen.
- Don't-** Remove items from the freezer with wet hands.
- Don't-** Close the door before replacing the fast-freeze compartment cover.

## Troubleshooting

If the appliance does not operate when switched on, check;

- That the plug is inserted properly in the socket and that the power supply is on. (To check the power supply to the socket, plug in another appliance)
- Whether the fuse has blown/circuit breaker has tripped/main distribution switch has been turned off.
- That the temperature control has been set correctly.
- That the new plug is wired correctly, if you have changed the fitted, moulded plug.

If the appliance is still not operating at all after above checks, contact the dealer from whom you purchased the unit.

Please ensure that above checks have been done, as a charge will be made if no fault is found.

## Information about operating noises

To keep the selected temperature constant, your appliance occasionally switches ON the compressor.

The resulting noises are quite normal.

As soon as the appliance has reached the operating temperature, the noises automatically reduce in volume.

The humming noise is emitted by the motor (compressor). When the motor switches ON, the noise may briefly increase in volume.

The bubbling, gurgling or whirring noise is emitted by the refrigerant as it flows through the pipes.

The clicking noise can always be heard when the thermostat switches ON/OFF the motor.

### **A clicking noise may occur when**

- the automatic defrosting system is active.
- the appliance is cooling down or warming up (material expansion).

**If these noises are excessively loud, the causes are probably not serious and are usually very easy to eliminate.**

### **The appliance is not level**

Use the height-adjustable feet or place packing under the feet.

### **The appliance is not free-standing**

Please move the appliance away from kitchen units or other appliances.

### **Shelves are loose or stick**


Please check the detachable components and, if required, refit them.

### **Warning!**

Do not attempt at any time to repair the appliance or its electric components yourself.

Any repair done by an unskilled person is dangerous for the user and can lead to warranty loss.



The symbol  on the product or on packaging indicates that this product may not be treated as household waste. Instead it shall be handed over to the applicable collection point for the recycling of electrical and electronic equipment. By ensuring this product is disposed of correctly, you will help prevent potential negative consequences for the environment and human health, which could otherwise be caused by inappropriate waste handling of this product. For more detailed information about recycling of this product, please contact your local city office, your household waste disposal service or the shop where you purchased the product.

Size uzun yıllar hizmet vermek üzere tasarlanmış ARÇELİK Kalitesindeki Ürün seçiminiz için sizi kutlarız.

### **Önce güvenlik!**

Tüm ambalaj malzemelerini ve taşıma koruyucularını çıkarmadan ürününüzün elektrik bağlantısını yapmayın.

• Yatay biçimde taşınmış olma durumuna karşı, kompresör yağının iyice dağılmasını sağlamak için çalıştırmadan önce 4 saat dik durumda tutun.

• Eskimiş cihazınızı, kapısında kilit veya mandal takılı halde atarken çocukların içeride kapalı kalmasını engellemek için gerekli tedbirleri aldığınızdan emin olun.

• Bu ürün sadece öngörülen amaçlar doğrultusunda kullanılmalıdır.

• Ürünü ateşe atmayın. Ürününüzün yalıtımında kullanılan CFC olmayan maddeler yanıcıdır. Ürününüzün atılma koşulları ve bu amaçla kullanılabilecek tesisler için yerel yetkililere danışmanızı öneririz.

• Bu ürünün garaj, sera, müstemilat binaları, depo, açık hava gibi ısıtması olmayan soğuk ortamlarda kullanılmasını tavsiye etmiyoruz.

Ürününüzden mümkün olan en iyi performansı almak ve sorunsuz çalışmasını sağlamak için bu talimatları dikkatle okumanız çok önemlidir. Bu talimatlara uyulmaması halinde, garanti süresi içerisinde ücretsiz servis alma hakkınız kaybolabilir.

Lütfen bu talimatları kolay erişilebileceğiniz yerlerde saklayın.

**Bu ürün, yanlarında güvenliklerinden sorumlu olacak veya onlara cihazın kullanımıyla ilgili gerekli talimatları verecek bir kişi bulunmadığı sürece fiziksel, duyuşal veya zihinsel yeteneklerinde yetersizlik bulunan veya bilgisiz ya da deneyimsiz olan kişiler tarafından kullanım için tasarlanmamıştır.**

**Çocuklar, ürünle oynamaları için gözetim altında tutulmalıdır.**

### **Elektrik gereksinimleri**

Ürünün fişini prize takmadan önce, ürün içindeki plakada belirtilen gerilim ve frekans değerlerinin evinizdeki şebeke elektriği değerleriyle uyumlu olmasına dikkat edin. Bu ürünün kolay erişilebilen ve uygun biçimde anahtarlanmış ve sigortası takılmış bir prize bağlanmasını tavsiye ederiz. Kurulumun ardından ürünle şebeke elektriği arasındaki bağlantının kesilebilmesi için, fiş erişilebilir konumda olmalıdır.

**Uyarı! Bu ürün mutlaka topraklanmalıdır.** Elektrikli ekipmanların onarımı yalnızca yetkili uzmanlar tarafından yapılabilir. Elektrik kablosunun hasarlı olması halinde, tehlike oluşturmaması için üretici ya da müşteri hizmetleri tarafından değiştirilmelidir.

### **DİKKAT!**

Bu ürün, çevre dostu ama aynı zamanda yanıcı bir gaz olan R600a ile çalışır. Ürünün taşınması ve kurulumu sırasında soğutma sisteminin zarar görmemesi için gerekli önlemler alınmalıdır. Soğutma sistemi hasar görmüşse ve sistemden dışarıya gaz sızıntısı söz konusuysa, ürünü açık ateş kaynaklarından uzak tutun ve odayı bir süre havalandırın.

**UYARI** - Buz çözmeyi hızlandırmak için üreticinin önerdiklerinin dışında mekanik gereçler ya da başka araçlar kullanmayın.  
**UYARI** - Soğutma devresine zarar vermeyin.  
**UYARI** - Gıda saklama bölmesi içinde üreticinin önermiş olduğu elektrikli cihazlar dışında herhangi bir elektrikli cihaz kullanmayın.

**UYARI** - Elektrik kablosunun hasar görmesi halinde, herhangi bir tehlike oluşturmaması için üretici, onun yetkili servisi ya da benzeri bir ehliyetli personel tarafından değiştirilmelidir.

### **Taşıma talimatları**

1. Bu ürün yalnızca dik pozisyonda taşınmalıdır. Teslim edilen ambalaj, taşıma esnasında zarar görmemelidir.  
2. Ürün yatay pozisyonda taşınıyorsa, sistemin oturması için en az 4 saat hiç çalıştırılmadan bekletilmelidir.

3. Yukarıdaki talimatlara uyulmaması, ürüne zarar verecek sonuçlara yol açabilir; ki bu durumdan üretici sorumlu tutulamaz.

4. Ürün yağmura, neme ve diğer atmosferik etkenlere karşı korunmalıdır.

### **Önemli!**

- Temizlik/taşıma esnasında ürünün arka kısmında bulunan kondansatörün altındaki metal tellere dokunmamaya özen gösterilmelidir; aksi takdirde parmaklarda ve ellerde yaralanma meydana gelebilir.
- Ürünün üzerine oturmeyin ya da çıkmayın, zira cihaz tasarımı buna uygun değildir. Kendinizi yaralayabilir veya ürüne zarar verebilirsiniz.
- Ana kablonun taşıma esnasında ve sonrasında ürünün altında kalmamasına dikkat edin; aksi takdirde kablo zarar görebilir.
- Çocukların ürünle ya da kumanda düğmeleriyle oynamasına izin vermeyin.

### **Kurulum talimatları**

1. Ürününüzü, geceleri ve/veya özellikle kış aylarında sıcaklığın 10 °C'nin (50 °F) altına düşebileceği odalara kurmayın, zira bu ürün +10 ile +43 °C (50 ila 109 °F) arasındaki oda sıcaklıklarında çalıştırılmak üzere tasarlanmıştır. Daha düşük sıcaklıklarda ürün çalışmayabilir ve bu durum, yiyeceklerin depolanma ömürlerinin kısalmasına yol açabilir.
2. Ürünü fırınların ya da radyatörlerin yanına veya direkt güneş ışığı altına yerleştirmeyin, çünkü bunlar ürünün işlevleri üzerinde ekstra zorlama yaratır. Ürünün bir ısı kaynağı ya da dondurucu yanına yerleştirilmesi durumunda, aşağıdaki minimum mesafelerin sağlanmasına dikkat edin:  
Fırınlardan en az 30 mm  
Radyatörlerden en az 300 mm  
Donduruculardan en az 25 mm
3. Serbest hava sirkülasyonunu sağlayabilmek için cihazın etrafında yeterli alan olmasına dikkat edin (**Madde 2**).  
• Buzdolabınızla duvar arasında yeterli mesafe ayarını yapmak için arka havalandırma kapağını buzdolabınızın arkasına koyun (**Madde 3**).

4. Ürün düz ve pürüzsüz bir yüzey üzerine konulmalıdır. İki ön ayak istenildiği şekilde ayarlanabilir. Ürününüzün tam dik pozisyonda durmasını sağlamak için, öndeki ayakları, zeminle tam bir temas sağlanana kadar saat yönünde ya da saat yönünün aksi yönde çevirerek ayarlayın. Ayakların doğru şekilde ayarlanması, aşırı titreşimi ve gürültüyü önler **(Madde 4)**.

5. Ürününüzü kullanıma hazırlamak için "Temizlik ve Bakım" bölümüne bakın.

### **Sıcaklık kontrolü ve ayarı**

Dondurucu sıcaklığı, dondurucu sıcaklık ayar düğmesiyle ayarlanır **(önerilen konum 2 veya 3'tür)**.

Genellikle bu sıcaklık -18°C'nin altındadır. Termostat düğmesi MAX konumuna getirilerek daha düşük sıcaklıklar elde edilebilir.

Saklama bölmelerinin istenen sıcaklıkta tutulmasını sağlamak için bir termometre ile sıcaklığı kontrol etmenizi öneririz.

Termometreyi dondurucudan çıkarttığınızda sıcaklık çok hızlı bir şekilde yükseleceği için termometrede gösterilen değeri hemen okumalısınız.

Her kapı açılışında soğuk havanın dışarı çıktığını ve içerideki sıcaklığın yükseldiğini lütfen unutmayın. Bu nedenle kapıyı asla açık bırakmayın ve gıda yerleştirdikten veya aldıktan hemen sonra kapatın.

### **Çalıştırma öncesi**

#### **Son Kontrol**

Ürünü kullanmaya başlamadan önce aşağıdakileri kontrol edin:

1. Dolabın ayakları en doğru dengelemeyi elde edecek şekilde ayarlanmış durumda olmalı.
2. Dolabın içerisi kuru ve arka tarafta hava sirkülasyonu serbestçe yapılabiliyor olmalı.
3. Dolabın iç kısmı "TEMİZLİK VE BAKIM" bölümünde tavsiye edildiği şekilde temizlenmiş olmalı.
4. Dolabın fişi duvar prizine takılı ve elektrik açık durumda olmalı. Kazara bağlantıyı kesmemek için düğmenin üzerine bir bant yapıştırın.

### **Şunlara dikkat edin:**

5. Kompresör çalışmaya başladığında bir ses duyacaksınız. Soğutma sistemi içerisindeki sıkışmış sıvı ve gazlar, kompresör çalışmıyor olsa da biraz gürültü çıkarabilirler. Bu gayet normaldir.

6. Taze gıdaları dondurmak için 4 yıldızla işaretlenmiş olan bölmeyi kullanın (ikinci raf önerilir).

7. Lütfen dondurucuya bir kerede çok fazla miktarda gıda koymayın. Gıdaların kalitesi, mümkün olan en kısa sürede derin dondurulmaları halinde iyi şekilde korunabilir. Bu nedenle de "*Ürün kaydında*" (Appliance record) gösterilen dondurma kapasitesini aşmamanız tavsiye edilir. Termostat düğmesi dondurucu içerisinde en düşük sıcaklığı sağlayacak şekilde ayarlanacak, bu esnada hızlı dondurma işlevi devrede olacak ve turuncu lamba yanacaktır.

8. Dolabın içini, dolabı çalıştırır çalıştırmaz doldurmayın. Uygun sıcaklık düzeyi elde edilinceye dek bekleyin. Sıcaklığı doğru bir termometre ile kontrol etmenizi tavsiye ederiz (bkz. Sıcaklık Kontrolü ve Ayarı).

### **Önemli not:**

Elektrik kesintisi durumunda dolabın kapısını açmayın. Kesintinin 16 saatten uzun sürmemesi halinde dondurulmuş yiyecekler kesintiden etkilenmeyecektir. Elektrik kesintisi daha uzun sürerse, yiyecekler kontrol edilip hemen tüketilmeli ya da pişirilerek tekrar dondurulmalıdır.

## **Dondurucu kontrol paneli**

### **Madde 5**

Kontrol paneli, dondurucudaki sıcaklığı ayarlar ve aşağıdaki işlemlere sahiptir:

#### **1 - Turuncu LED - Hızlı dondurma açık**

Dondurucu sıcaklık ayar düğmesini (4) "FAST FREEZE" (Hızlı Dondurma) konumuna getirdiğinizde, turuncu LED (1) yanar ve cihaz en düşük sıcaklık koşullarında çalışmaya başlar. Turuncu LED 50 saat boyunca en düşük sıcaklık koşullarında çalıştıktan sonra söner.

#### **2 - Yeşil LED - elektrik açık (Gerilim)**

Ürün elektrik şebekesine bağlı olduğunda yanar ve güç geldiği sürece yanık kalır. Yeşil LED dondurucunun içindeki sıcaklığa dair herhangi bir bilgi sunmaz.

#### **3 - Kırmızı LED - Yüksek Sıcaklık Alarmı**

#### **4 - Sıcaklık ayar düğmesi**

#### **Yüksek sıcaklık alarmı**

Ürün ilk kez açıldıktan sonra, alarm 12 saat süreyle devreye girmez (kırmızı LED söndürür). Bu sürenin ardından, kırmızı LED aşağıdaki durumlarda yanabilir:

- Cihaz taze yiyeceklerle aşırı doldurulmuşsa
  - Cihazın kapısı yanlışlıkla açık bırakılmışsa.
- Bu durumlarda, kırmızı LED, cihaz önceden ayarlanmış sıcaklığa ulaşana kadar yanık kalır. Kırmızı LED yanarsa, yetkili servisi çağırmadan önce 24 saat bekleyin.

#### **Önemli:**

Ürün içerisinde elde edilebilecek sıcaklıklar ürünün konumu, kullanım koşulları, ortam sıcaklığı, kapının açılma sıklığı, soğutucunun gıda maddeleriyle doluluk oranı gibi etkenlere göre değişebilir. Termostat düğmesinin konumu bu koşullara göre değişecektir.

Kırmızı LED yanarsa, yetkili servisi çağırmadan önce 24 saat bekleyin.

Çünkü bunun sebebi dondurucu içerisine yerleştirilen sıcak gıdalar ve/veya kapının açık bırakılmış olması olabilir.

Yüksek sıcaklık alarmı (kırmızı LED) 24 saat devrede kaldıktan sonra kapanmalıdır.

## **Hızlı dondurma işlevi**

HIZLI DONDURMA işlevini etkinleştirmek için, lütfen sıcaklık ayar düğmesini "FAST FREEZE" (Hızlı Dondurma) konumuna ayarlayın. Hızlı dondurmak istediğiniz gıda ürünlerini, hızlı dondurma işlevini etkinleştirmenizin üzerinden 24 saat geçtikten sonra dondurucuya yerleştirmeniz önerilir. Hızlı dondurma işlevi etkinken, buzdolabınız dondurucuya yönelik en düşük sıcaklık ayarında çalışır. Hızlı dondurma işlemi 50 saat sürer. Sonlandırıldıktan sonra, düğme hala "FAST FREEZE" (Hızlı Dondurma) konumunda olsa bile, buzdolabınız sıcaklık ayarı 3 ile normal kullanım koşullarına geri döner. Bu ekolojik tasarım özelliği, hızlı dondurma işlevi herhangi bir sebepten dolayı iptal edilmediğinde enerji tasarrufu sağlar. Buzdolabınızın dondurma kapasitesi, hızlı dondurma işlevi etkinken ölçülür ve bildirilir.

## **Donmuş gıdaların saklanması**

Dondurucunuz, ticari olarak dondurulmuş gıdaların uzun süreli saklanmasına uygun olup, aynı zamanda taze yiyeceklerin dondurulması ve saklanması için de kullanılabilir.

Elektrik kesintisi durumunda dolabın kapısını açmayın. Kesintinin 16 saatten uzun sürmemesi halinde dondurulmuş yiyecekler kesintiden etkilenmeyecektir. Elektrik kesintisi daha uzun sürerse, yiyecekler kontrol edilip hemen tüketilmeli ya da pişirilerek tekrar dondurulmalıdır.

## **Taze yiyeceklerin dondurulması**

En iyi sonucu elde etmek için aşağıdaki talimatları uygulayın.

Çok büyük miktarlardaki yiyeceği aynı anda dondurmayın. Yiyeceklerin kalitesinin en iyi şekilde korunabilmesi, bunların içlerine kadar olabildiğince çabuk bir şekilde dondurulması ile mümkündür. Çok miktarda taze gıda dondurulacaksa, taze gıdaları hızlı dondurma bölümüne yerleştirmeden 24 saat önce ayar düğmesini "FAST FREEZE" (Hızlı Dondurma) konumuna getirin. Dondurma kapasitesi olarak belirtilen maksimum miktarda taze gıdayı dondurmak için, düğmenin en az 24 saat süreyle "FAST FREEZE" (Hızlı Dondurma) konumunda tutulması şiddetle önerilir. Dondurulmuş olarak satılan gıdalarla taze gıdaların karışmamasına özellikle dikkat edin. 1/2 kilograma (1 lb) kadar olan az miktarlardaki gıdalar, hızlı dondurma fonksiyonu kullanılmadan dondurulabilir. Dondurulmuş şekilde satılan gıdalarla taze gıdaların karışmamasına özellikle dikkat edin.

### **Buz üretimi (Madde 6)**

Buz kalıbını 3/4 oranında su ile doldurarak dondurucuya yerleştirin. Buz kalıplarını gevşetmek için kaşık sapı veya benzeri gereçler kullanın; bıçak ya da çatal gibi keskin ve sivri nesnelere asla kullanmayın.

### **Ürününüzü tanıyın (Madde 1)**

- 1 - Kumanda paneli, ekran ve ayar
- 2 - Buz kalıbı desteği ve buz kalıbı
- 3 - Çabuk dondurma bölümü
- 4 - Dondurulmuş gıda saklama bölümü
- 5 - Ayarlanabilir ön ayıklar

### **Buz çözme**

Dondurucunun buzunu yılda en az iki kez veya buz katmanı aşırı kalınlaştığında çözün.

- Buz birikmesi normal bir durumdur.
- Özellikle de bölmenin üst kısmında buz oluşması normal bir durumdur ve ürünün sağlıklı bir şekilde çalışmasına herhangi bir etkide bulunmaz.
- Dondurulmuş yiyeceklerin fazla olmadığı zamanlarda cihazın buzunu çözmenizi tavsiye ederiz.
- Buz çözme işleminden önce, gıdaları iyi bir şekilde dondurmak için termostat ayar düğmesini maksimum konuma getirin. Bu zaman zarfında buzdolabı içerisindeki sıcaklığın çok düşük olmaması gerekir.
  - Cihazın fişini prizden çekin.
  - Dondurulmuş gıdaları çıkarın, birkaç kat kağıda sarın ve serin bir yere koyun.
  - Çabuk bir buz çözme işlemi için dondurucu kapısını açık bırakın ve iç kısma sıcak suyla dolu kaplar koyun (maks. 80 °C).

Buzları kazımak için bıçak ya da çatal gibi keskin veya sivri nesnelere kullanmayın.

Buzların çözülmesi için asla saç kurutma makinesi, elektrikli ısıtıcılar veya benzeri elektrikli cihazlar kullanmayın.

Buz çözme işlemi sona erdiğinde, buz çözülen kısmı kapatıp iç kısmı baştan aşağı kurulayın

**(Madde 7 ve 8).**

### **Temizlik ve bakım**

1. Temizleme işlemine başlamadan önce ürünün elektrik bağlantısını kapatmanızı ve fişini çekmenizi tavsiye ederiz.

2. Temizleme işi için asla keskin aletler ya da aşındırıcı maddeler, sabun, ev temizlik maddeleri, deterjan ya da cila gibi maddeler kullanmayın.

3. Ürünün içini temizlerken ılık su ile silin ve daha sonra iyice kurulayın.

4. Bir çay kaşığı sodyum bikarbonatın yarım litre suda çözünmesi ile elde edilen bir çözeltide ıslatıldıktan sonra iyice sıkılmış bir bezle dolabın içini silin ve sonra kurulayın.

5. Ürün uzunca bir süre kullanılmayacaksa, ürünün elektrik bağlantısını kesin, içindeki tüm yiyecekleri çıkarın, ürünü temizleyin ve kapısını aralık bırakın.

6. Yüksek kalitedeki boya görüntüsünün korunması için ürünün metal kısımlarını ( kapı dışını, dolap kenarlarını) silikon cila (araba cilasası) ile parlatmanızı öneririz.

7. Ürünün arka kısmında bulunan kondansatör üzerinde toplanan tozlar yılda bir kez elektrik süpürgesi ile alınmalıdır.

8. Kapı sızdırmazlık contalarının temizliğini ve üzerlerinde partiküller olmadığını düzenli şekilde kontrol edin.

9. Şunları asla yapmayın:

- Ürünü petrol esaslı ürünler gibi uygun olmayan malzemelerle temizlemeyin.
- Hiçbir şekilde yüksek sıcaklıklara maruz bırakmayın,
- Aşındırıcı malzemelerle kazımaya ya da ovmaya kalkışmayın.

10. Oluşan aşırı buzlanma düzenli olarak giderilmelidir. Fazla miktarlarda buz birikmesi ürünün performansını bozar.

11. Herhangi bir çekmeceyi çıkartmak için bu çekmeceyi olabildiğince çekin, yukarı doğru yatırın ve ardından tekrar çekerek tümüyle çıkartın.

### **Kapı konumunun değiştirilmesi**

Numara sırasıyla ilerleyin **(Madde 9).**

**Yapılması ve yapılmaması gerekenler**

- Yapın-** Dondurucudaki yiyecekleri belirli aralıklarla kontrol edin.
- Yapın-** Ürününüzü düzenli aralıklarla temizleyin ve buzları çözün ("Buz çözme" bölümüne bakın")
- Yapın-** Yiyecekleri mümkün olduğunca kısa süre saklayın ve üzerlerinde yazılı olan "... Tarihine Kadar Kullanın" ve "Son Kullanma" gibi tarihlere sadık kalın.
- Yapın-** Ticari maksatlı dondurulmuş yiyecekleri, paketleri üzerinde bulunan talimatlara göre saklayın.
- Yapın-** Daima kaliteli taze yiyecekler seçin ve dondurmadan önce bunların iyice temizlenmiş olmalarına dikkat edin.
- Yapın-** Daha hızlı donmalarını sağlamak için taze yiyecekleri küçük porsiyonlar halinde dondurmaya hazır hale getirin.
- Yapın-** Donmuş gıdaları satın aldıktan hemen sonra sarın ve mümkün olduğunca çabuk bir şekilde dondurucuya yerleştirin.
- Yapın-** Bölmelerdeki gıdaları ayırın ve kağıt üzerine içerik bilgilerini yazın. Bu, gıdalarınızı çabucak bulmanızı ve dolabın uzun süre açık kalmasından kaçınmanızı sağlar; böylece elektrikten de tasarruf etmiş olursunuz.

- Yapmayın-** Ürün kapısını uzun süre açık tutmayın; bu, ürününüzün çalışma maliyetini artıracak gibi, aşırı buz oluşmasına da neden olur.
- Yapmayın-** Buzları kazımak için bıçak ya da çatal gibi keskin veya sivri nesnelere kullanmayın.
- Yapmayın-** Ürünün içine sıcak yiyecekler koymayın. Önce bunların soğumalarını bekleyin.
- Yapmayın-** Sıvı dolu şişeleri ya da karbonatlı sıvı içeren açılmamış konserve kutularını dondurucuya koymayın; çünkü bunlar patlayabilir.
- Yapmayın-** Ürününüzde zehirli veya tehlikeli maddeleri saklamayın. Bu ürün, yalnızca yenilebilir maddeleri saklamak üzere tasarlanmıştır.
- Yapmayın-** Taze yiyecekleri dondururken maksimum dondurma yükünü aşmayın.
- Yapmayın-** Dondurucudan çıkan dondurmaları ya da aromalı buzlu yiyecekleri doğrudan tüketmeyin. Bunlardaki düşük sıcaklık, dudaklarda 'soğuk yanmasına' neden olabilir.
- Yapmayın-** Gazlı içecekleri dondurmayın.
- Yapmayın-** Daha önce çözülmüş yiyecekleri dondurarak saklamaya çalışmayın; bunların 24 saat içerisinde tüketilmeleri ya da pişirilerek yeniden dondurulmaları gerekir.
- Yapmayın-** Yiyecekleri dondurucudan ıslak ellerinizle çıkarmaya çalışmayın.
- Yapmayın-** Hızlı dondurma bölümünü kapağını tekrar yerine takmadan kapıyı kapatmayın.

## Sorun Giderme

Ürün açıldığında çalışmıyorsa, şunları kontrol edin;

- Dolabın fişi prize düzgün biçimde takılı mı ve elektrik açık durumda mı? (Duvar prizinin çalışıp çalışmadığını kontrol etmek için prize bir başka cihazı takın)
- Sigorta atmış mı/devre kesici takılı mı kalmış/ana dağıtım anahtarı kapalı konumda mı?
- Sıcaklık ayarı doğru yapılmış mı?
- Orijinal, kalıplanmış fişi değiştirdiyse, yeni fiş bağlantısı doğru mu?

Yukarıdaki kontrollerden sonra ürün hala çalışmıyorsa, ürünü satın almış olduğunuz satış noktasını arayın.

Üründe herhangi bir arıza olmaması durumunda size ücret tahakkuk ettirileceği için lütfen yukarıdaki kontrollerin yapılmış olduğundan emin olun.

## Çalışırken çıkan gürültüye dair bilgiler

Seçili sıcaklığı sabit tutmak için, ürününüz, belirli bir sıklıkta kompresörü AÇIK konuma getirir.

Sonrasında ortaya çıkan sesler ise son derece normaldir.

Ürün çalışma sıcaklığına ulaşır ulaşmaz bu sesler de kendiliğinden azalacaktır.

Uğultu sesini motor (kompresör) çıkarır. Motor AÇIK konuma getirildiğinde, gürültü sesi kısa süreliğine yükselebilir.

Fokurdama, guruldama, vızıldama sesleri, borular içerisinde akış halinde bulunan soğutucu akışkandan gelir.

Termostat, motoru AÇIK/KAPALI konuma getirdiğinde, daima bir tık/klik sesi duyulur.

**Tık/klik sesi şu zamanlarda duyulur:**

- otomatik buz çözme sistemi etkinken.
- ürün soğurken veya ısınırken (malzeme genleşmesi).

**Çok fazla gürültü varsa, bunu yaratan sebepler pek de ciddi olmayabilir ve genellikle de kolayca üstesinden gelinebilecek cinstendir.**

**Ürün dengede değildir**

Yüksekliği ayarlanabilen ayakları kullanın veya ayak altına bir parça kağıt/karton koyun.

**Ürün serbestçe durmuyordur**

Lütfen ürünü mutfak ünitelerinden veya diğer cihazlardan uzak tutun.


**Raflar gevşek veya sıktır**

Lütfen sökülebilir bileşenleri kontrol edin ve gerekirse söküp yeniden takın.

## Uyarı!

Cihazı ve cihazın elektrikli parçalarını asla kendiniz onarmayı denemeyin. Ehliyetsiz kişiler tarafından yapılacak her türlü onarım kullanıcı için tehlike arz eder ve garantinin geçerliliğini yitirmesine yol açabilir.



Ürün veya ambalaj üzerindeki  sembolü, bu ürünün evsel atık olarak işlem göremeyeceğini gösterir. Bunun yerine, elektrik ve elektronik ekipmanların geri dönüşümü için uygun bir toplama merkezine teslim edilmelidir. Bu ürünün uygun bir şekilde bertaraf edilmesini sağlayarak, uygunsuz atık yönetiminin neden olacağı çevre ve insan sağlığına yönelik potansiyel olumsuz sonuçların önüne geçmiş olursunuz. Bu ürünün geri dönüşümü konusunda daha ayrıntılı bilgi için, lütfen belediyenizle, evsel atık yönetimi servisiyle veya ürünü satın aldığınız yerle irtibata geçin.



## 7 YIL GARANTİ

Değerli Müşterimiz,

**Aşağıda belirtilen ürün gruplarından herhangi birini satın almışsanız, mevcut garanti süresini isterseniz belli bir ücret karşılığında 7 yıla çıkarabilirsiniz.**

**EK Garanti uygulamasının esasları aşağıda belirtilmiştir.**

EK garantiden yararlanabilmeniz için, satın alma ve montaj yapıldığı tarihten itibaren en geç 1 ay içerisinde bu başvuru formunu doldurarak yetkili servise başvurmanız yeterli olacaktır. Bu sürenin aşılması durumunda EK garanti satın alma başvurusu kabul edilmeyecektir. Yetkili servisimizin, adınıza düzenleyeceği tahsilat makbuzunun tarafınızdan saklanması gerekmektedir.

EK garanti, ürünün 3 yıllık garanti süresinin bitiş tarihinden itibaren başlar ve tercih ettiğiniz sürenin sonunda biter.

EK garanti uygulaması Arçelik markalı; buzdolabı (mini ve tezgah seviyesi buzdolapları hariç), çamaşır makinesi, bulaşık makinesi, fırın (mini, midi ve mikrodalga fırınlar hariç) satın alan tüketiciler için geçerli olacaktır.

EK garanti uygulamasının güncel tutarını, Arçelik yetkili satıcılarından, Yetkili servislerinden veya 444 0 888 nolu Arçelik Hizmet Merkezinden öğrenebilirsiniz.

**ÖNEMLİ NOT:** Satın aldığınız ek garantinin geçerli olabilmesi ve gerektiğinde ibraz edebilmeniz için, Arçelik A.Ş. tarafından gönderilecek Ek Garanti Sertifikasının elinizde olması gerekmektedir. **Ek garantiyi satın aldığınız tarihten itibaren, en geç 2 ay içerisinde ek garanti sertifikanız, faturanız ve müşteri numaranız elinize Arçelik A.Ş. tarafından ulaştırılacaktır.** Söz konusu belgeler, bu süre zarfında elinize ulaşmaz ise, lütfen 444 0 888 nolu hattımızdan Hizmet Merkezimizi arayarak bilgi alınız.

**DİKKAT!** Ek garanti satışı sadece Beko Yetkili Satıcıları, Beko Yetkili Servisleri ve 444 0 888 nolu Beko Hizmet Merkezi tarafından yapılmaktadır. Bu birimler dışında herhangi bir şekilde kişi veya kurumlardan Beko markalı ürünler için ek garanti satın almayınız. Alınması durumunda ise şirketimizin herhangi bir sorumluluğunun bulunmadığını bilgilerinize sunarız.



Y. Servis Kodu/Adı :  
Kaşe / İmza

## Ek garanti başvuru formu

Müşteri Adı Soyadı :

Cep Tel :

### Ürünün Kullanıldığı Adres

Ev  Yazlık  Diğer  Lütfen diğeri belirtiniz:.....

Telefon : 0 (.....)..... Diğer Telefon : 0 (.....).....

Adres : .....

İlçesi : ..... İl : ..... e-mail : .....@.....

Ürün modeli/kodu : ..... Ürün seri no : .....

Ay/yıl kodu : ..... Ek garanti süresi : 2 yıl  3 yıl  4 yıl

Servis Fiş No : ..... Yatırılan Tutar : .....

Yatırılan Tutar : ...../...../.....

**Bölüm:**  
**Tüketici Hizmetleri**

**Değerli Müşterimiz,**

Sizlere iyi ürün vermek kadar, iyi hizmet vermenin de önemine inanıyoruz. Bu nedenle siz bilinçli tüketicilere çok geniş kapsamlı yeni bir hizmet sunmaya devam ediyoruz. Yetkili servislerimizin haftanın 7 günü 09:00-22:00 hizmet vermeye başlamasının ardından Arçelik Çağrı Merkezi de haftanın 7 günü 08:00-24:00 saatleri arasında yeni telefon numarası olan **444 0 888** ile canlı olarak hizmet vermeye başladı. Doğrudan bu numarayı çevirerek Arçelik Çağrı Merkezine başvurabilir ve arzu ettiğiniz hizmeti talep edebilirsiniz

Yeni Numaralar:

**444 0 888**

(Sabit telefonlardan veya cep telefonlarından alan kodu çevirmeden\*)

Diğer Numara

**0.216.585 8 888**

Çağrı Merkezimize ayrıca **www.arcelik.com.tr** adresindeki Tüketici Hizmetleri bölümünde bulunan formu doldurarak ya da 0 216 585 8 888 nolu telefonu arayarak veya 0 216 423 23 53 nolu telefona faks çekerek ulaşabilirsiniz. Yazılı başvurular için adresimiz: Arçelik Çağrı Merkezi, Ankara Asfaltı Yanı, 34950 Tuzla/İSTANBUL

## **Garanti ile ilgili olarak müştərinin dikkat etmesi gereken hususlar**

*ARÇELİK tarafından verilen bu garanti, Buzdolabı'nın normalin dışında kullanılmasından doğacak arızaların giderilmesini kapsamadığı gibi, aşağıdaki durumlar da garanti dışıdır:*

- 1. Kullanma hatalarından meydana gelen hasar ve arızalar,*
- 2. Ürünün müşteriye tesliminden sonraki yükleme, boşaltma ve taşıma sırasında oluşan hasar ve arızalar,*
- 3. Voltaj düşüklüğü veya fazlalığı; hatalı elektrik tesisatı; ürünün etiketinde yazılı voltajdan farklı voltajda kullanma nedenlerinden meydana gelecek hasar ve arızalar,*
- 4. Yangın ve yıldırım düşmesi ile meydana gelecek arızalar ve hasarlar.*
- 5. Ürünün kullanma kılavuzlarında yer alan hususlara aykırı kullanılmasından kaynaklanan arızalar.*

*Yukarıda belirtilen arızaların giderilmesi ücret karşılığında yapılır.*

*Ürünün kullanım yerine montajı ve nakliyesi ürün fiyatına dahil değildir.*

*Garanti belgesinin tekemmül ettirilerek tüketiciye verilmesi sorumluluğu, tüketicinin malı satın aldığı satıcı, bayi, acenta ya da temsilciliklere aittir. Garanti belgesi üzerinde tahrifat yapıldığı, ürün üzerindeki orijinal seri numarası kaldırıldığı veya tahrif edildiği takdirde bu garanti geçersizdir.*

*Ürününüzün CE uygunluk değerlendirmesi Arçelik A.Ş. tesislerinde yapılmıştır.*

*İmalatçı/İthalatçı  
Arçelik A.Ş. Karaağaç Cad.No:2-6 Sütluce*

*Menşei: Romanya*

Çağrı Merkezi:  
**444 0 888**

Diğer Numara  
**0216 585 8 888**

ARÇELİK A.Ş. Tuzla 34950 İstanbul  
Tel:(0-216) 585 85 85 Fax: (0-216) 585 80 80



# upright freezer dikey derin dondurucu



**ARÇELİK** buzdolabının, kullanma kılavuzunda gösterildiği şekilde kullanılması ve Arçelik'in yetkili kaldığı Servis elemanları dışındaki şahıslar tarafından bakım, onarım veya başka bir nedenle müdahale edilmemiş olması şartıyla, bütün parçaları dahil olmak üzere tamamı malzeme, işçilik ve üretim hatalarına karşı ürünün teslim tarihinden itibaren **3 (ÜÇ) YIL SÜRE İLE GARANTİ EDİLMİŞTİR.**

Garanti kapsamı içinde gerek malzeme ve işçilik gerekse montaj hatalarından dolayı arızalanması halinde yapılan işlemler için işçilik masrafı, değiştirilen parça bedeli ya da başka bir ad altında hiçbir ücret talep edilmeyecektir. Garanti süresi içinde yapılacak onarımlarda geçen süre, garanti süresine ilave edilir. Tamir süresi en fazla 20 iş günüdür. Bu süre mamulün yetkili servis atölyelerimize, yetkili servis atölyelerimiz bulunmaması durumunda Yetkili Satıcılarımıza veya Firmamıza bildirildiği tarihten itibaren başlar. Ürünün arızasının 10 iş günü içinde giderilememesi halinde Arçelik A. Ş., ürünün tamiri tamamlanuncaya kadar, benzer özelliklere sahip başka bir ürünü, müşterinin kullanımına tahsis edecektir.

Arızanın giderilmesi konusunda uygulanacak teknik yöntemlerin tespiti ile değiştirilecek parçaların saptanması tamamen firmamıza aittir. Arızanın giderilmesi ürünün bulunduğu yerde veya Yetkili Servis atölyelerinde yapılabilir. Müşterimizin buna onayı şarttır.

Tüketicinin onarım hakkını kullanmasına rağmen malın;

-Tüketicie teslim edildiği tarihten itibaren, garanti süresi içinde kalmak kaydıyla, bir yıl içerisinde en az dört defa veya imalatçı-üretici ve/veya ithalatçı tarafından belirlenen garanti süresi içerisinde altı defa arızalanmasının yanı sıra, bu arızaların maldan yararlanamamayı sürekli kılması,

-Tamiri için gereken azami süresinin aşılması ,

-Firmanın servis istasyonunun, servis istasyonunun mevcut olmaması halinde sırayla satıcısı, bayii, acentesi temsilciliği ithalatçısı veya imalatçı-üreticisinden birisinin düzenleyeceği raporla arızanın tamirini mümkün bulunmadığının belirlenmesi, durumlarında tüketici malın ücretsiz değiştirilmesini, bedel iadesi veya ayıp oranda bedel indirimi talep edebilir.

Garanti belgesi ile ilgili olarak çıkabilecek sorunlar için Gümrük ve Ticaret Bakanlığı, Tüketicinin ve Rekabetin Korunması Genel Müdürlüğü'ne başvurulabilir. Bu Garanti Belgesi'nin kullanılmasına 4077 sayılı Tüketicinin Korunması Hakkında Kanun ile bu Kanun'a dayanılarak yürürlüğe konulan Garanti Belgesi Uygulama Esaslarına Dair Yönetmelik uyarınca T.C. Sanayi ve Ticaret Bakanlığı, Tüketicinin ve Rekabetin Korunması Genel Müdürlüğü tarafından izin verilmiştir.

ARÇELİK A.Ş.

GENEL MÜDÜR

GENEL MÜDÜR YRD.

Seri No:

Tip: **2060 DD**

Teslim Tarihi, Yeri:

Fatura Tarihi, No:

Satıcı Firma Ünvanı:

Adres:

Tel-Faks:

Satıcı Firma (Kae ve İmza)